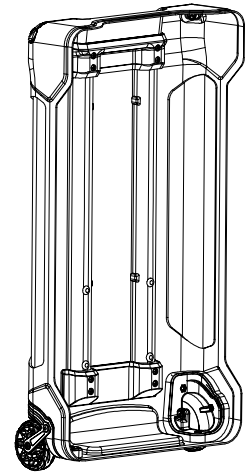
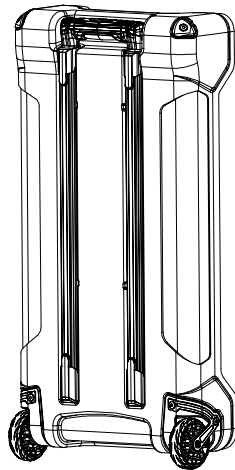
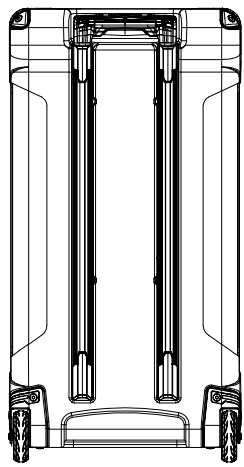
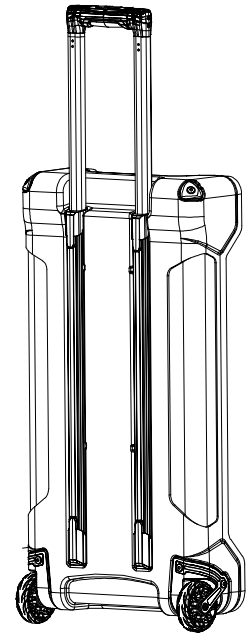
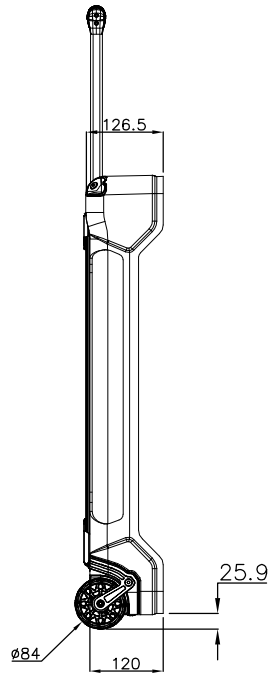
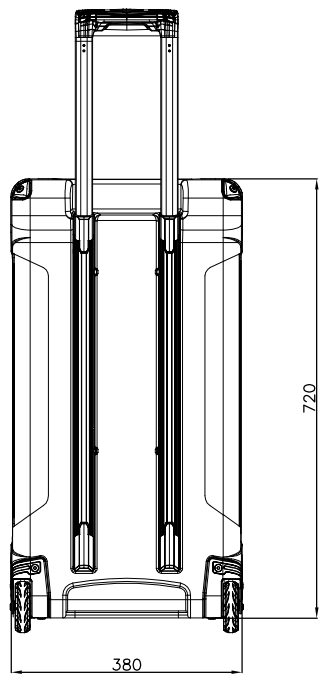


# SH150+PY3203AL77W67+WR062\_WHL045\_84



# SH161+PY3203AL77W67+WR062\_WHL045\_84

