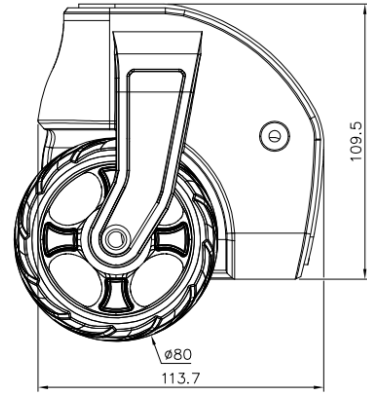


INTRODUCTION OF SUPERLITE BIKE WHEEL



Item #: **WR036 + WHL032**
(including Inner housing)
Material: ABS (Wheel housing)
PP (Wheel Hub)
TPU (Wheel Tire)
Wheel Diameter: 80mm

Descriptions:

- Lightweight wheel (around 150g)
- Large wheel makes the maneuvering easy on rough paths
- Integrated axle reinforcement provides extra support for the axle load on wheels.
- Great on soft/hard case luggage with the versatile wheel housing design
- Different colors can be applied on the wheel hub, tire, and housing



**CONTACT US TO
GET SAMPLES!**

TRIMMERS VIETNAM CO., LTD
Plot CN16, Block 5 and part of Block 4, Road 6, Song Than 3 Industrial Park Phu Tan Ward,
Thu Dau Mot City, Binh Duong, Viet Nam
✉ sales@trimmers-pro.com

☎ (+84) 274.378.8797 or (+84) 274.378.8716