

# NEW SANTANA SPINNER WHEEL

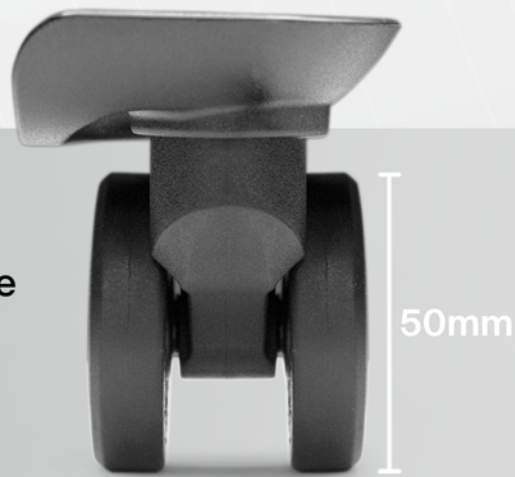
Item # WR111 + WHL058



Metallic Hairline Cap

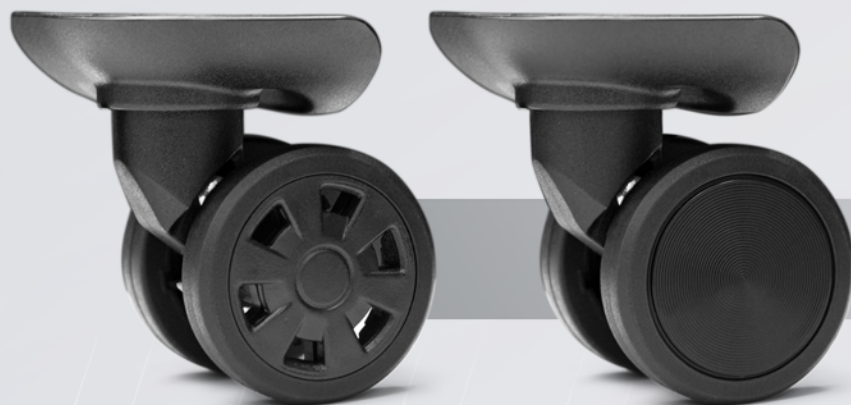
**THE LOOK YOU WANT.  
THE PERFORMANCE YOU NEED**

Low-profile housing and ground clearance are designed to disappear into the shell visually—pure aesthetics.



Durable wheel, engineered for superior grip and an ultra-quiet glide on any surface from polished floors to street pavement.

Get smooth, controlled 360° mobility even when the bag is fully maxed out.



Engineered for fast and simple assembly.