

## SUPERLITE SHELL TRAY HANDLE

**Item#:** PY1414R29KR007\_3

ESD-coated handle tubes have a premium look with a glossy surface with excellent corrosion resistance.

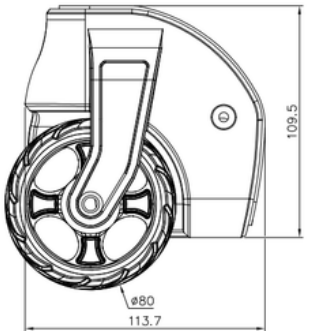


## SUPERLITE TREAD WHEEL

**Item#:** WR036 + WHL014

**Wheel Diameter:** 80mm

The large wheels make light work of rolling when loaded heavily.



## EASY ACCESS MONO FOOT



**Item#:** SS004

**Size:** 247 mmL



## EASY ACCESS MONO FOOT

**Item#:** SS004

Made of PP (Polypropylene) material. This item helps the luggage stand easily on the floor. It is also durable & strong enough to grab and lift from luggage carousels.



## AKITA ROAD MASTER WHEEL

**Item# :** WR071+WHL014

Made of PP (Polypropylene) and TPU material. Heavy-duty oversized wheel allows for smooth maneuvering over rough paths.

