

## HALF MOON FOOT

**Item#: SR004**

Special design like a half moon.  
Many sizes are available.



## LOCOMO TWILL WHEEL

**Item#: WR058+WHL041**

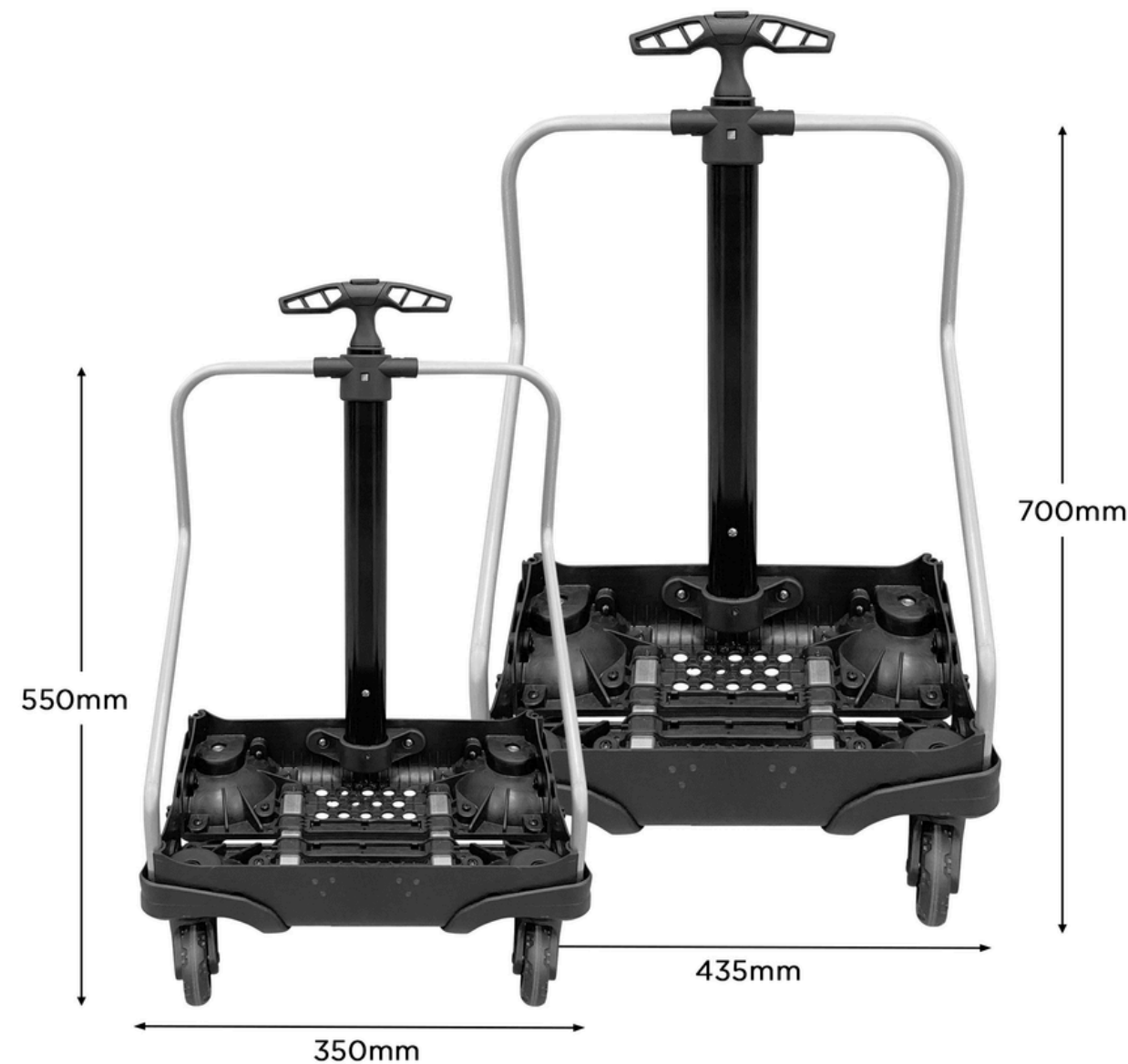
**Wheel Diameter:** 100mm

Sturdy and lightweight wheel with a honeycomb design. An aluminum frame provides stability, with over 20 colors can be applied.



# AIRWING MONO SPINNER ALL- IN- ONE SYSTEM

ITEM: PY4903W39W03+ WR047 +WHL037+ FM115



- **Component:** Retractable handle, Frame, Bottom tray, Wheel, and Wheel housing

- **Material:**

Frame: Aluminum

Bottom tray: PP

Handle: Aluminum + PA + PP

Wheel (housing/hub/tire): ABS/ PP/ TPU

- **Wheel Type:** Recessed Spinner Wheel + Single Tread Wheel

- **Size:** Wheel diameter length: 60mm

- **Dimension:**

S: 550mm (H) x 350mm (W) x 215mm (D)

L: 700mm (H) x 435mm (W) x 280mm (D)

- **Retractable Handle length:**

2 section: Retracted 690mm - Extended 1040mm

3 section: Retracted 530mm - Extended 1040mm

- **Coating type:** Anodizing, ESD

Featuring an ultralight 1.6 kg frame, this All-in-One system is perfectly engineered for outdoor adventures and flexible packing.

