



TRIMMERS HARDWARE COMPANY

Head Quarter & Factory 1

Lot CN16, Block No.5 and a part of Block No.4, Road No.6,
Song Than 3 Industrial Park, Phu Tan Ward, Thu Dau Mot City,
Binh Duong Province, Viet Nam
T: +84 274 3 788 797 | Fax: +84 274 3 788 716

Factory 2

Lot K4, N4 street, South Tan Uyen Industrial Park, Uyen Hung Ward,
Tan Uyen Town, Binh Duong Province, Viet Nam
T: +84 274 3 800 781 | Fax: +84 274 3 788 716
✉ sales@trimmers-pro.com

D1 Office & Showroom in HCM

6th Floor, HMTC Tower, 22 Ly Tu Trong Street, Ben Nghe Ward,
District 1, Ho Chi Minh City, Viet Nam
T: +84 283 8 221 700

TRIMMERS CHINA

No.407, Zone 2, Building 1, Fanshan Venture Center, Panyu
Energy-saving Science and Technology Park, No 537, North Panyu
Avenue, Donghuan Street, Panyu District, Guangzhou, China
T: +86 13 418 198 905
✉ andy_deng@trimmers-pro.com

GERMANY



RAMP Global Technology Ltd.
An den Römertürmen 463543 Neuberg, Germany
Andreas Pless
T: +49 (0) 172.697.1647
andreas@ramp-globaltec.de

UK



RAMP Global Technology Ltd. (UK)
21 Freeland Road Cobham, Surrey KT11 2NA, United Kingdom
Mike Ridler
T: +44 (0) 7831 259501
mike@ramp-globaltec.co.uk

ITALY



DUE EMME S.r.l
Via Cimane 26/28 200032 Cormano (MI), Italy
Virginia Masserini
Direct line: +39 02 663 087 310 T: +44 (0) 7831 259501
Virginia.Masserini@2m-italia.it www.2m-italia.it

KOREA



Wid Corporation / Plastic Co.
6F Samyoom building, 39, Jongno
41-gil, Jong-gu, Seoul, Korea
T: +82 2 2268 7576 F: +82 2 2268 7578
plastic15@naver.com

JAPAN



General Garment Mills Ltd.
4F 1-33-14 Ebisuishi Shibuya Tokyo
150-0021 Japan
T: 81 70 6554 8150 F: +81-3-6455-5957
y.komatsu@ggjmp.co.jp
ATTN: Yoshihiko Komatsu

ISRAEL



Nomadity Studio.
4 Sheffer Lane, Tel-Aviv, Israel, 6560352
Roel Bardas
T: +972-54-827-7784
studio@nomadity.net



2024 - 2025
LATEST DESIGN



Handle . Wheel . Hard Shell . Frame
**HARDWARE OF
TRAVEL & CAMPING**

R E L I A B I L I T Y B Y D E S I G N



HARDWARE of LUGGAGE

CONTENT

Bottom Compartment

Caliber	05
Malibu	06
Locomo	08
Akita	10
XAD	11
Edge	12

All-in-one systems

Airwing	14
Recessed Spinner Wheel Series	15
FeatherLite Series	16
SpaceShip Series	17

Retractable Handle

Caliber	18
Locomo	19
Akita	20
Cruiser	21
Hybrid	–
Speedlite	22
Malibu	24
Ibiza	25
Superlite	26
Cole	27
Looper	–
Ice Breaker	–

Wheel

Santana Spinner	28
Spinner	30
Akita	32
Malibu	–
Locomo	33
Cruiser	–
Hybrid	34
Superlite	–
Tradi	–
Caliber	35
Speedlite	36
Bow Type	–
Icebreaker	37

Frame

Commute Carrier	39
Snow Shoes	40
Chair	41
Exclusive	42



Bottom Compartment

BOTTOM COMPARTMENT CALIBER

RELIABILITY BY DESIGN



Caliber

Wide Spinner Bottom Compartment

Item #: **PY8403L76R66 + WR061 + WHL034**

Size: Large: 730mmH x 430mmW x 292mmD
Small wide: 550mmH x 370mmW x 232mmD

Item #: **PY8403L76R66 + WR111 + WHL058**

Size: Extra small: 535mmH x 333mmW x 232mmD

Material: Shell: Polycarbonate vacuum thermoforming
Handle: Aluminum tube with TPR rubber on the grip side
Wheel housing PP + Wheel (Hub PP/Tire EPDM)



730mmH 550mmH 535mmH



MALIBU



Malibu

Bottom Compartment

- Item #: **PY5515R37KR16_2 + WR063 + WHL032**
- Size: Large: 900mmH x 450mmW x 140mmD
- Item #: **PY5515R37KR15_3 + WR063 + WHL032**
- Size: Small: 540mmH x 350mmW x 125mmD

Material: Shell: Polycarbonate vacuum thermoforming
 Handle: Aluminum tube with TPR rubber
 Wheel housing ABS + Wheel (Hub PP / Tire TPU)



Malibu

Exterior Foot Bottom Compartment

- Item #: **PY5515R37KR15_3 + WR063 + WHL032 + SH008 + OR068**

Size: 550mmH x 350mmW x 125mmD
 Material: Shell: Polycarbonate vacuum thermoforming
 Handle: Aluminum tube with TPR rubber
 Wheel housing ABS + Wheel (Hub PP / Tire TPU)



LOCOMO



Locomo

Hardshell Bottom Compartment

Item #: **PY3203AL70W62_2 + WR062 + WHL045 + CP011**

Size: Large: 720mmH x 450mmW x 170mmD
Medium: 620mmH x 400mmW x 120mmD

Item #: **PY3203AL54W41_3 + WR062 + WHL045 + CP011**

Size: Small: 526mmH x 336mmW x 105mmD

Material: Shell: Polycarbonate vacuum thermoforming
Handle: Aluminum tube with TPR rubber on the grip side
Wheel housing PP/ Aluminum + Wheel TPU



Locomo

Adventure Bottom Compartment

Item #: **PY3203AL77W67 + WR062 + WHL045 + CP011**

Size: Large: 800mmH x 380mmW x 126mmD
Medium: 720mmH x 380mmW x 126mmD
Small: 550mmH x 339mmW x 115mmD

Material: Shell: Polycarbonate vacuum thermoforming
Handle: Aluminum tube with TPR rubber grip
Wheel housing PP/ Aluminum + Wheel (Hub PP/ Tire TPU)



■ ■ ■ ■ ■ BOTTOM COMPARTMENT
LOCOMO PRO



Locomo Pro

Hardshell Bottom Compartment

Item #: **PY6703R60R25 + WR062 + WHL045 + SH141**
Size: Large: 750mmH x 400mmW x 120mmD

Item #: **PY6703R60R25 + WR062 + WHL045 + SH140**
Size: Small: 527mmH x 350mmW x 120mmD

Material: Shell: Polycarbonate vacuum thermoforming
Handle: Aluminum tube with TPR rubber handle grip
Wheel housing PP/ Aluminum + Wheel TPU

**Entry
Collection**

AKITA



Akita

Bottom Compartment

Item #: **PY7205R64R50_3 + WR095 + WHL053 + SH127 + CP014**
Size: 515mmH x 350mmW x 150mmD

Material: Shell: Polycarbonate vacuum thermoforming
Handle: Aluminum tube, ABS handle grip, PP tray
Wheel housing PP + Wheel TPU



XAD



RELIABILITY BY DESIGN



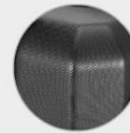
XAD

Bottom Compartment

Item #: **PY8403AL70W62-3 + WR106_WHL066 + SH197F/R + FM089**
Size: 30" _765mmH x 456mmW x 347mmD

Item #: **PY8403AL70W62-3 + WR106_WHL066 + SH197F/R + FM121**
Size: 42" _1052mmH x 456mmW x 349mmD

Material: Shell: Polycarbonate vacuum thermoforming
Retractable handle: Aluminum
Wheel housing PP + Wheel (Hub PP/Tire TPU)_115mm



Shell - Polycarbonate vacuum thermoforming
Its hard shell, made with strong and resistant material will protect anything you carry.



Wide handle Aluminum



Heavy duty Aluminum frame



Maximize stability of wheel



Wheel housing PP + Wheel (Hub PP/Tire EPDM)
Smooth rolling wheels

Edge

Bottom Compartment

Item #: **PY9403W84L67-3 + WR109_WHL041 + SH211F/R**

Size: Upright 22": 559mmH x 350mmW x 235mmD
Drop bottom 22": 550mmH x 350mmW x 115mmD
Material: Shell: Polycarbonate vacuum thermoforming
Handle: Aluminum tube with TPR rubber on the grip side
Wheel housing PP/ Aluminum + Wheel (Hub PP /Tire TPU)



Edge means that edge-to-edge handle design, giving spacious space when you arrange your products. This design has the biggest internal capacity among carry-on size luggage on the market.

► Upright 22"

550mmH x 350mmW x 235mmD



SH211F/R

Maximize inner space by edge location of handle



► Drop bottom 22"

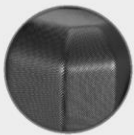
550mmH x 350mmW x 115mmD



Interior space and well organized.



SH211R



Shell _ Polycarbonate vacuum thermoforming
Its hard shell, made with strong and resistant material will protect anything you carry



Wide handle Aluminum



Well integrated bezel structure



Easy to lift up or pull out of the overhead locker



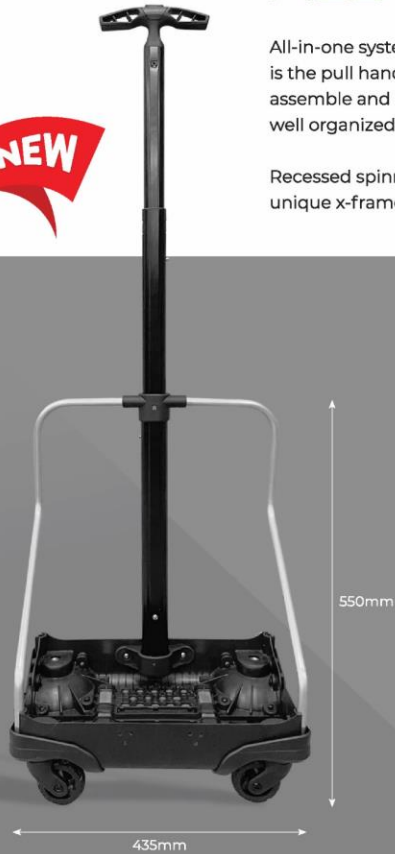
100mm shock-absorbing wheels make you comfortable while carrying your bag

ALL-In-One System



All-in-one systems provide less weight of construction. All you need is the pull handle and fabric skins without any other structure. Easy assemble and lightweight frame help to be less costs and weight by well organized frame systems.

Recessed spinner wheel with clamshell structure and boxy structure, unique x-frame systems will give more choice and comfort.



Airwing Mono Spinner All- In- One System

Item #: **PY4903W39W03+ WR047 +WHL037+ FM115**
 Size: Large: 700mmH x 435mmW x 280mmD
 Small: 550mmH x 350mmW x 215mmD
 Retractable Handle length
 2 section: Retracted 690mm | Extended 1040mm
 3 section: Retracted 530mm | Extended 1040mm
 Wheel diameter length: 60mm

Material: Frame: Aluminum
 Bottom tray: PP
 Wheel (Housing/Hub/Tire): ABS / PP / TPU



RECESSED SPINNER WHEEL SERIES

Caliber

All-In-One Boxy Spinner

Item #: **PY3103R25W11 + WR047 + WHL037**
 Size: Large: 700mmH x 435mmW x 280mmD
 Small: 550mmH x 350mmW x 230mmD
 Retractable Handle length
 2 section: Retracted 690mm | Extended 1040mm
 3 section: Retracted 530mm | Extended 1040mm
 Wheel diameter length: 60mm

Material: Frame: Aluminum
 Bottom tray: PP
 Wheel (Housing/Hub/Tire): ABS / PP / TPU



Boxy structure



Wheel options **WHL034-1** **WHL034-2** **WHL034-3**

Caliber

All-In-One Clam Shell Spinner

Item #: **PY3103R25W11 + WR047 + WHL037**
 Size: Large: 700mmH x 435mmW x 295mmD
 Small: 550mmH x 350mmW x 230mmD
 Retractable Handle length
 2 section: Retracted 690mm | Extended 1040mm
 3 section: Retracted 530mm | Extended 1040mm
 Wheel diameter length: 60mm

Material: Frame: Aluminum
 Bottom tray: PP
 Wheel (Housing/Hub/Tire): ABS / PP / TPU



Clam shell structure



FEATHERLITE SERIES



FeatherLite

Mono All-In-One Systems

Item #: **PY0303W39WR42_103 + FM031 + FM014**
 Size: Large: 750mmH x 420mmW x 280mmD
 Small: 550mmH x 350mmW x 230mmD
 Retractable Handle length
 2 section: Retracted 690mm | Extended 1040mm
 3 section: Retracted 530mm | Extended 1040mm
 Wheel diameter length: 80mm

Material: Frame: Aluminum
 Bottom tray: PP
 Wheel (Housing/Hub/Tire): ABS / PP / TPU



FeatherLite

Dual All-In-One Systems

Item #: **PY4215W40WR42_115 + FM012 + FM014**
 Size: Large: 750mmH x 420mmW x 280mmD
 Small: 550mmH x 350mmW x 230mmD
 Retractable Handle length
 2 section: Retracted 690mm | Extended 1040mm
 3 section: Retracted 530mm | Extended 1040mm
 Wheel diameter length: 80mm

Material: Frame: Aluminum
 Bottom tray: PP
 Wheel (Housing/Hub/Tire): ABS / PP / TPU



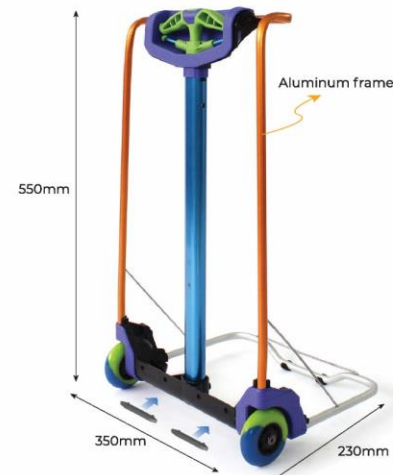
SPACESHIP SERIES



SpaceShip Mono

Item #: **PY4503W39WR42_203 + FM036 + FM014**
 Size: Large: 650mmH x 420mmW x 280mmD
 Small: 550mmH x 350mmW x 230mmD
 Retractable Handle length
 Retracted 530mm | Extended 1040mm
 Wheel diameter length: 80mm

Material: Frame: Aluminum
 Bottom tray: PP
 Wheel (Housing/Hub/Tire): ABS / PP / TPU



SpaceShip Mono All-In-One Systems

Item #: **PY4503R43WR42_203 + FM035 + FM014**
 Size: Small: 550mmH x 350mmW x 230mmD
 Retractable Handle length
 Retracted 530mm | Extended 1040mm
 Wheel diameter length: 80mm

Material: Frame: Aluminum
 Bottom tray: PP
 Wheel (Housing/Hub/Tire): ABS / PP / TPU



Retractable Handle



Caliber

Square Tray Handle

Item #: **PY3103L14L09**
 Material: Tubes: Aluminum 6463D T6
 Handle grip: ABS
 Middle, bottom tray: PP
 Coating type: Anodizing, ESD



Caliber

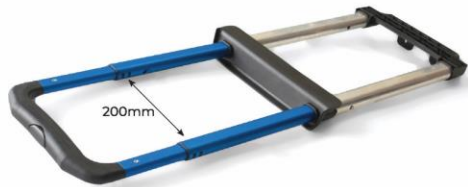
Round Tray Handle

Item #: **PY3103R25R28**
 Material: Tubes: Aluminum 6463D T6
 Handle grip: ABS
 Middle, bottom tray: PP
 Coating type: Anodizing, ESD



RETRACTABLE HANDLE

CALIBER



Caliber

Zero Wide Handle

Item #: **PYB403L76R66**
 Material: Tubes: Aluminum 6463D T6
 Handle grip: ABS + TPR
 Middle, bottom tray: PP
 Coating type: Anodizing, ESD



LOCOMO

Aluminum trim



Comfort hex rubber

Locomo

Round Tray Handle

Item #: **PY6703R60R25**
 Material: Tubes: Aluminum 6463D T6
 Handle grip: TPR
 Middle, bottom tray: PP
 Coating type: Anodizing, ESD



AKITA



Akita
Round Tray Handle For Hardcase
 Item #: **PY6805R61R50**
 Material: Tubes: Aluminum 6463D T6
 Handle grip: ABS
 Middle, bottom tray: PP
 Coating type: Anodizing, ESD



Akita
Round Tray Handle For Soft Bag
 Item #: **PY7205R64R50**
 Material: Tubes: Aluminum 6463D T6
 Handle grip: ABS
 Middle, bottom tray: PP
 Coating type: Anodizing, ESD



Akita
Ergonomic Handle for Hardshell
 Item #: **PY8805R61R50_3**
 Material: Tubes: Aluminum 6463D T6
 Handle grip: ABS
 Middle, bottom tray: PP
 Coating type: Anodizing, ESD



Akita
Mono Eye Handle
 Item #: **PY7905W73R50**
 Material: Tubes: Aluminum 6463D T6
 Handle grip: ABS
 Middle, bottom tray: PP
 Coating type: Anodizing, ESD



CRUISER



Cruiser
Round Tray Handle
 Item #: **PY3203R27R28**
 Material: Tubes: Aluminum 6463D T6
 Handle grip: ABS
 Middle, bottom tray: PP
 Coating type: Anodizing, ESD



HYBRID



Hybrid
Shell Tray Handle
 Item #: **PY3803AR30 KR010_3**
PY3803AR30 KR011_2
 Material: Tubes: Aluminum 6463D T6
 Handle grip: TPR
 Middle, bottom tray: PP
 Coating type: Anodizing, ESD



SPEEDLITE



Speedlite

Round Tray Handle

Item #: **PY1010R26R28**
 Material: Tubes: Aluminum 6463D T6
 Handle grip: ABS
 Middle, bottom tray: PP
 Coating type: Anodizing, ESD



Speedlite

Square Tray Handle

Item #: **PY1010L05L09**
 Material: Tubes: Aluminum 6463D T6
 Handle grip: ABS
 Middle, bottom tray: PP
 Coating type: Anodizing, ESD



Speedlite

Round Tray Handle

Item #: **PY1010R06R28**
 Material: Tubes: Aluminum 6463D T6
 Handle grip: ABS + TPR
 Middle, bottom tray: PP
 Coating type: Anodizing, ESD



Speedlite

Flat Tray Handle

Item #: **PY1010W11R28**
 Material: Tubes: Aluminum 6463D T6
 Handle grip: ABS
 Middle, bottom tray: PP
 Coating type: Anodizing, ESD



Speedlite

Cup Tray Handle

Item #: **PY1010Z01L09**
 Material: Tubes: Aluminum 6463D T6
 Handle grip: ABS
 Middle, bottom tray: PP
 Coating type: Anodizing, ESD



Speedlite

Round Tray Handle

Item #: **PY3610R26R28**
 Material: Tubes: Aluminum 6463D T6
 Handle grip: PP + TPR
 Middle, bottom tray: PP
 Coating type: Anodizing, ESD



MALIBU



Malibu

Round Tray Handle

Item #: **PY4215R37R32**
 Material: Tubes: Aluminum 6463D T6
 Handle grip: ABS
 Middle, bottom tray: PP
 Coating type: Anodizing, ESD



Malibu

Square Tray Handle

Item #: **PY4215L38R32**
 Material: Tubes: Aluminum 6463D T6
 Handle grip: ABS
 Middle, bottom tray: PP
 Coating type: Anodizing, ESD



Malibu

Flat Tray Handle

Item #: **PY4214W46L34**
 Material: Tubes: Aluminum 6463D T6
 Handle grip: ABS
 Middle, bottom tray: PP
 Coating type: Anodizing, ESD



Malibu Pro

Round Tray Handle

Item #: **PY5515R37R32_3**
PY5515R37R32_2
 Material: Tubes: Aluminum 6463D T6
 Handle grip: ABS
 Middle, bottom tray: PP
 Coating type: Anodizing, ESD



IBIZA



Ibiza

Round Tray Handle

Item #: **PY4110R26R28**
 Material: Tubes: Aluminum 6463D T6
 Handle grip: ABS + TPR
 Middle, bottom tray: PP
 Coating type: Anodizing, ESD



Ibiza

Square Tray Handle

Item #: **PY4110L05R28**
 Material: Tubes: Aluminum 6463D T6
 Handle grip: ABS + TPR
 Middle, bottom tray: PP
 Coating type: Anodizing, ESD



SUPERLITE

Glossy texture



Superlite Round Tray Handle

Item #: **PY4314R34R25**
 Material: Tubes: Aluminum 6463D T6
 Handle grip: ABS
 Middle, bottom tray: PP
 Coating type: Anodizing, ESD



Rubber



Superlite Round Tray Handle

Item #: **PY1414R34R25**
 Material: Tubes: Aluminum 6463D T6
 Handle grip: PP + TPR
 Middle, bottom tray: PP
 Coating type: Anodizing, ESD



Rubber



Superlite Shell Tray Handle

Item #: **PY1414R29KR007_3**
PY1414R29KR008_2
PY1414R29KR012_2
 Material: Tubes: Aluminum 6463D T6
 Handle grip: PP +TPR
 Middle, bottom tray: PP
 Coating type: Anodizing, ESD



COLE



Cole Flat Tray Handle

Item #: **PN3710W15W15**
 Material: Tubes: Steel
 Handle grip: PP
 Middle, bottom tray: PP
 Coating type: Anodizing, ESD



LOOPER



Looper Flat Tray Handle

Item #: **PY1414W05W05**
 Material: Tubes: Aluminum 6463D T6
 Handle grip: PP + TPR
 Middle, bottom tray: ABS
 Coating type: Anodizing, ESD



ICE BREAKER



Ice Breaker Square Tray / Chassis Handle

Material: Tubes: Aluminum 6463D T6
 Handle grip: Aluminum + PP + PGF
 Middle, bottom tray: PP
 Coating type: Anodizing, ESD



Item #: **PY0303L11R03**

Item #: **PY0303L11R27 + WR002D + WHL022**



WHEEL

RELIABILITY BY DESIGN

WHEEL

SANTANA SPINNER



Santana Spinner Wheel Cut Rim
Double Wheel 62 for Hardshell
Item #: **WR061 + WHL034_1**



Santana Spinner Cut Rim
Double Wheel 50 for Hardshell
Item #: **WR079 + WHL058**



Santana Spinner Water Drop
Double Wheel 62 for Hardshell
Item #: **WR061 + WHL034_2**



Santana Spinner Plain
Single Wheel 60 for Hardshell
Item #: **WR061 + WHL044**



Santana Spinner Wheel
Double Wheel 50 for Hardshell
Item #: **WR111 + WHL058**



Santana Spinner
Hyper Elastic Double Wheel 58 for Hardshell
Item #: **WR061 + WHL077**

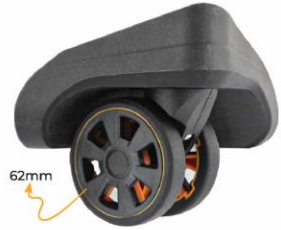


Santana Spinner Paddle Rim
Double Wheel 62 for Hardshell
Item #: **WR061 + WHL034_3**



Santana Spinner Trail
Single Wheel 60 For Hardshell
Item #: **WR061 + WHL037**

WHEEL
SPINNER



Recessed Spinner Wheel Housing
+ Double Wheel 62 + Orange Cut Rim
Item #: [WR047 + WHL034_1](#)



NEW
Quick Turn Wide Spinner Wheel 50
for Hardshell
Item #: [WR097 + WHL067 50](#)



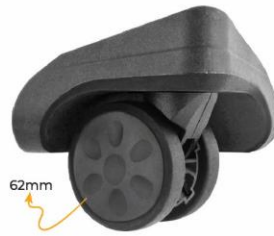
NEW
Quick Turn Wide Spinner Wheel 60
for Hardshell
Item #: [WR097 + WHL067 60](#)



Sled Wheel Housing
+ Double Wheel 62 + Orange Cut Rim
Item #: [WR045 + WHL034_1](#)



Recessed Spinner Wheel Housing
+ Double Wheel 62 + Audio Speaker Rim
Item #: [WR047 + WHL034_2](#)



Recessed Spinner Wheel Housing
+ Double Wheel 62 + Paddle Rim
Item #: [WR047 + WHL034_3](#)



Sled Wheel Housing
+ Double Wheel 62 + Audio Speaker Rim
Item #: [WR045 + WHL034_2](#)



Sled Single Spinner Wheel 60
Item #: [WR045 + WHL044](#)



Recessed Spinner Wheel Housing
+ Single Wheel 60
Item #: [WR047 + WHL044](#)



Recessed Spinner Wheel Housing
+ Single Tread Wheel 60
Item #: [WR047 + WHL037](#)



Sled Wheel Housing
+ Double Wheel 62 + Paddle Rim
Item #: [WR045 + WHL034_3](#)



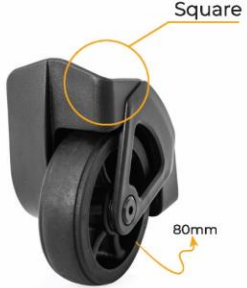
Sled Single Spinner Wheel 60
Item #: [WR045 + WHL037](#)

AKITA

LOCOMO



Akita Road Master Wheel 80 for Hardshell
Item #: **WR095 + WHL053**



Akita Road Master Wheel 80 for Soft Case
Item #: **WR071 + WHL053**



Akita Road Master Flat Face Wheel 80
Item #: **WR081 + WHL053**



Akita Road Master Rail Connect Wheel 80
Item #: **WR080 + WHL053**



Locomo Twill Wheel 100mm
Item #: **WR058 + WHL041**



Locomo Twill Wheel 84mm
Item #: **WR062 + WHL045**



MALIBU



Akita Spinner Wheel 50 for Hardshell
Item #: **WR069 + WHL051**



Malibu Wheel 80
Item #: **WR063 + WHL032**



CRUISER

Cruiser Plain Wheel 84mm
Item #: **WR031 + WHL023**



HYBRID



Hybrid Trail Wheel 80
Item #: WR034 + WHL014



Hybrid Trail Wheel 80
Item #: WR034 + WHL032

SUPERLITE



SuperLite Trail Wheel 80
Item #: WR036 + WHL014



SuperLite Trail Tread Wheel 80
Item #: WR036 + WHL032

TRADI



Tradi Trail Wheel 70
Item #: WR006 + WHL011



Tradi Plain Wheel 70
Item #: WR006 + WHL002

CALIBER



Caliber Trail Wheel 90 with Aluminum Rail
Item #: WR029 + WHL007 + SR031 + SR032



Caliber Plain Wheel 80
Item #: WR029 + WHL022



Caliber Trail Wheel 90
Item #: WR029 + WHL007



Caliber Trail Wheel 90
Item #: WR030 + WHL007

SPEEDLITE



SpeedLite Upright Trail Wheel 70
Item #: **WR009 + WHL011**



SpeedLite Upright Plain Wheel 70
Item #: **WR009 + WHL002**



Bow Type Standard Wheel
With Corner Guard 70
Item #: **WR040 + WHL011**



Bow Type Standard Wheel
With Corner Guard 70
Item #: **WR040 + WHL002**



SpeedLite Duffel Trail Wheel 70
Item #: **WR007 + WHL011**



SpeedLite Duffel Plain Wheel 70
Item #: **WR007 + WHL002**

BOW TYPE



Bow Type Wheel 70
Item #: **WR014 + WHL011**



Bow Type Wheel 70
Item #: **WR014 + WHL002**

ICEBREAKER

Icebreaker Wide Body Wheel
Item #: **WR002D + WHL022 + BOTR027**



80mm
350mm
210mm



Icebreaker Wheel 80
Item #: **WR002C + WHL014**



Icebreaker Wheel with
Bike Tread Wheel 80
Item #: **WR002C + WHL032**

Wheel options

COMMUTE CARRIER

Item #: **PY9403WB4L67-2 + WHL075 + FM106 + FM107**
 Material: Aluminum frame
 Size: Fold 200mmL x 420mmW x 550mmH
 2 Wheels 320mmL x 420mmW x 550mmH
 4 Wheels 473mmL x 420mmW x 550mmH
 Weight: 2.1Kg

Commute Carrier - Multifunctional, and could be the only one you'll ever need!

This product has large back wheels and small spinners front wheels can be used with 2-wheel position and 4-wheel position. It could be used as a shopping cart to store groceries, carry water jars, and other uses. The front frame design is helpful for the elder to avoid barricades when moving forward.

This product's simplicity and versatility make it perfect for everyday usage.



FRAME



2 WHEEL POSITION



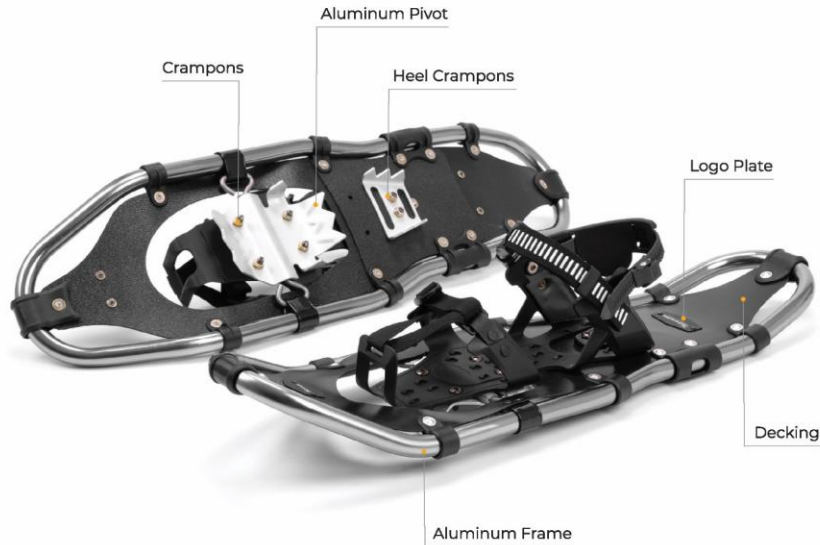
4 WHEEL POSITION



SNOW SHOES



RECYCLED



Aluminum Frame Snow Shoes

Item: **FM086 + OR225 + OR226**

Material: Aluminum 6061 | Plastic PC + TPU + POM

Size: 215mmW x 690mmL

Description:

- . Hiking snow shoes
- . Lightweight and strong aluminum frame with ergonomic design to ensure comfortable and easy walks
- . Strong Polycarbonate decks for maximum support on the snow
- . Best for navigating trails with snow
- . Heavy duty aluminum crampons, rotate freely to bite into snow; heel crampons provide traction for heading down mild slopes
- . Use a fast and secure ratchet binding system
- . Use for flat or rolling terrain or terrain that doesn't require steep climbing or descents



PACKABLE CAMPING CHAIR FRAME

This camping chair is both compact and comfortable – an essential item for those who love camping.

The frame is made of durable 6061 aluminum, lightweight and high strength, exceptional corrosion resistance, outstanding machinability, and weldability.

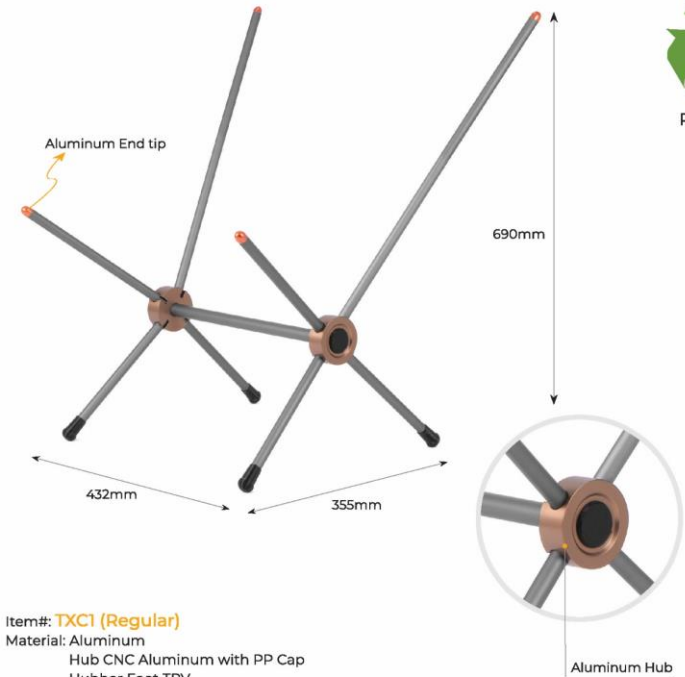
The aluminum hub and TPU cap give you great comfort and a different experience compared to other camping chairs.

The chair is higher than most ordinary camping chairs with the middle slot – it holds your body stable, makes you feel comfortable while sitting for a long time, and prevents your backbone from getting crooked.

The frame is folded down easily to store in the included stuff sack.



RECYCLED



Item#: **TXC1 (Regular)**

Material: Aluminum

Hub CNC Aluminum with PP Cap

Hubber Foot TPV

Dimension: 690mmH x 355mmW x 432mmL

Seat Height: 350mmH



EXCLUSIVE PROJECT



WHEEL

